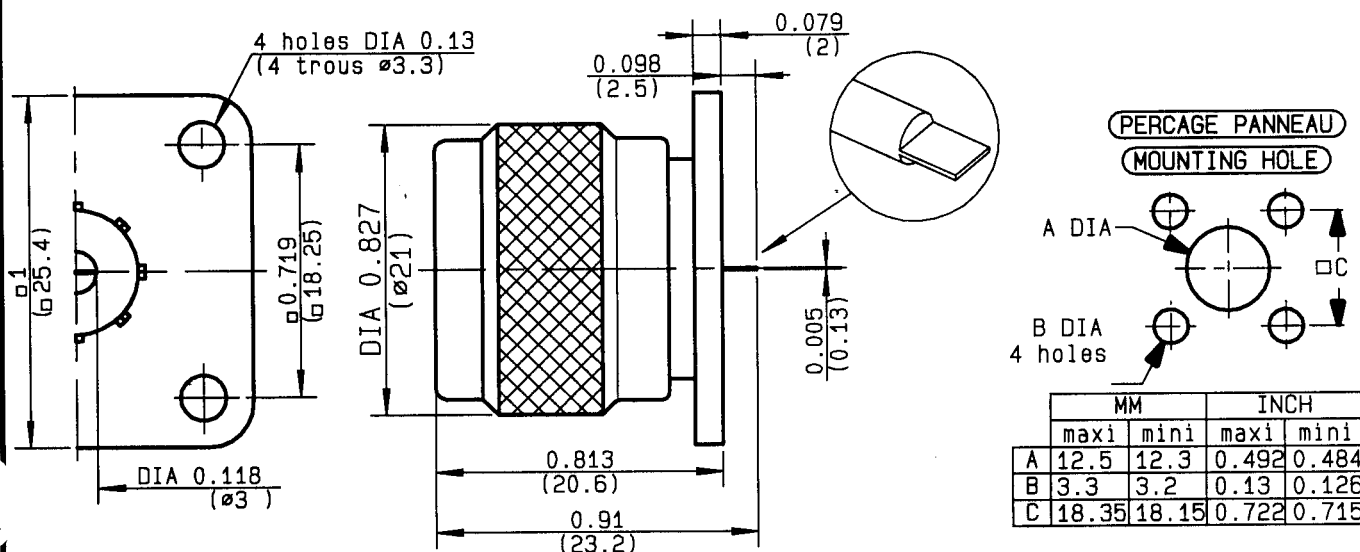


**SQUARE FLANGE PLUG RECEPTACLE  
WITH TAB CONTACT**

**R161.444.200**  
**SERIES N**



NOMINAL IMPEDANCE	<b>50</b> Ω
FREQUENCY RANGE	<b>0-11</b> GHz
TEMPERATURE RATING	<b>-55/+155</b> °C
V.S.W.R	<b>1.04 + .004 x F(GHz)</b> Maxi
RF INSERTION LOSS	<b>0.015</b> √F(GHz) dB Maxi
VOLTAGE RATING	<b>1400</b> V <sub>eff</sub> Maxi
DIELECTRIC WITHSTANDING VOLTAGE	<b>2500</b> V <sub>eff</sub> Mini
INSULATION RESISTANCE	<b>5000</b> MΩMini
HERMETIC SEAL	<b>NA</b> Atm.cm <sup>3</sup> /s
LEAKAGE (pressurized only)	<b>NA</b>
MECHANICAL DURABILITY	<b>500</b> Cycles
WEIGHT	gr
SPECIFICATION	

CABLES :	
OTHERS CHARACTERISTICS	
CABLE RETENTION	<b>NA</b> N Mini
CENTER CONTACT RETENTION	
Axial force - mating end	<b>27</b> N Mini
Axial force - opposite end	<b>27</b> N Mini
Torque	<b>2.8</b> cm.N Mini
RECOMMENDED TORQUES	
Mating	<b>NA</b> cm.N
Panel nut	<b>NA</b> cm.N
Clamp nut	<b>NA</b> cm.N

CONNECTOR PARTS	MATERIALS	FINISH	(all values are given in micrometers)
BODY	BRASS	BBR 2	
OUTER CONTACT	BRASS	BBR 2	
CENTER CONTACT	BERYLLIUM COPPER	GOLD 0.5 OVER NICKEL 2	
INSULATOR	PTFE	-	
GASKET	SILICONE RUBBER	-	
OTHERS PIECES	BRASS	BBR 2	

ISSUE	CREATION DATE	FILE PART-NUMBER
<b>9813A02</b>	<b>17-FEB-97</b>	<b>EPC 96-07</b>



GUERIN

The information given here is subject to change without notice.  
Design changes may be in order to improve the product.

*Connect to the future*